

U.S. Patents:
No.: 9,644,331
No.:10,202,726
No.:10,597,832

GL1000

WALK BEHIND LASER GUIDE STRIPING SYSTEM

**ELIMINATES STRING LINE AND CHALK LINES
FASTER AND STRAIGHTER • ONE MAN OPERATION**

"These have done nothing but help our quality and speed up our striping operation. We are very pleased with this product"

*Jason Goad
Advanced Workzone Services - OK*

DICAN
FLEET SAFETY SOLUTIONS

DICANINC.COM
1 866 884 7569

VERSATILE • ACCURATE • EASY TO USE

Rev: 5.15.20

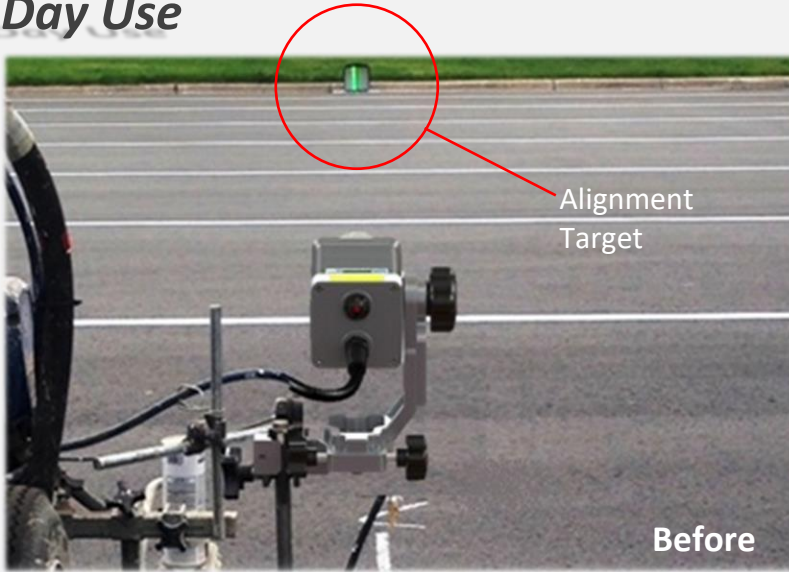
FINALLY- A Laser Guide System for Walk Behind Strippers!

The GL1000 was specifically designed for walk behind line striping machines. This new method is a game changer in the parking lot striping industry; It eliminates pulling string lines and chalk lines. Plus, it's faster, straighter and easy to use.

NO more string line and chalk lines!

- ✓ One man layout
- ✓ Increases your productivity (Restripes and new jobs)
- ✓ Better quality work (Makes anyone look like a pro)
- ✓ Works great day or night
- ✓ Faster • Straighter • Easy to Use

Day Use



- 1 Set alignment target over far point (Up to 700 feet)
- 2 Get spray nozzle w/ laser over near point
- 3 Start striping while keeping laser in center of alignment target

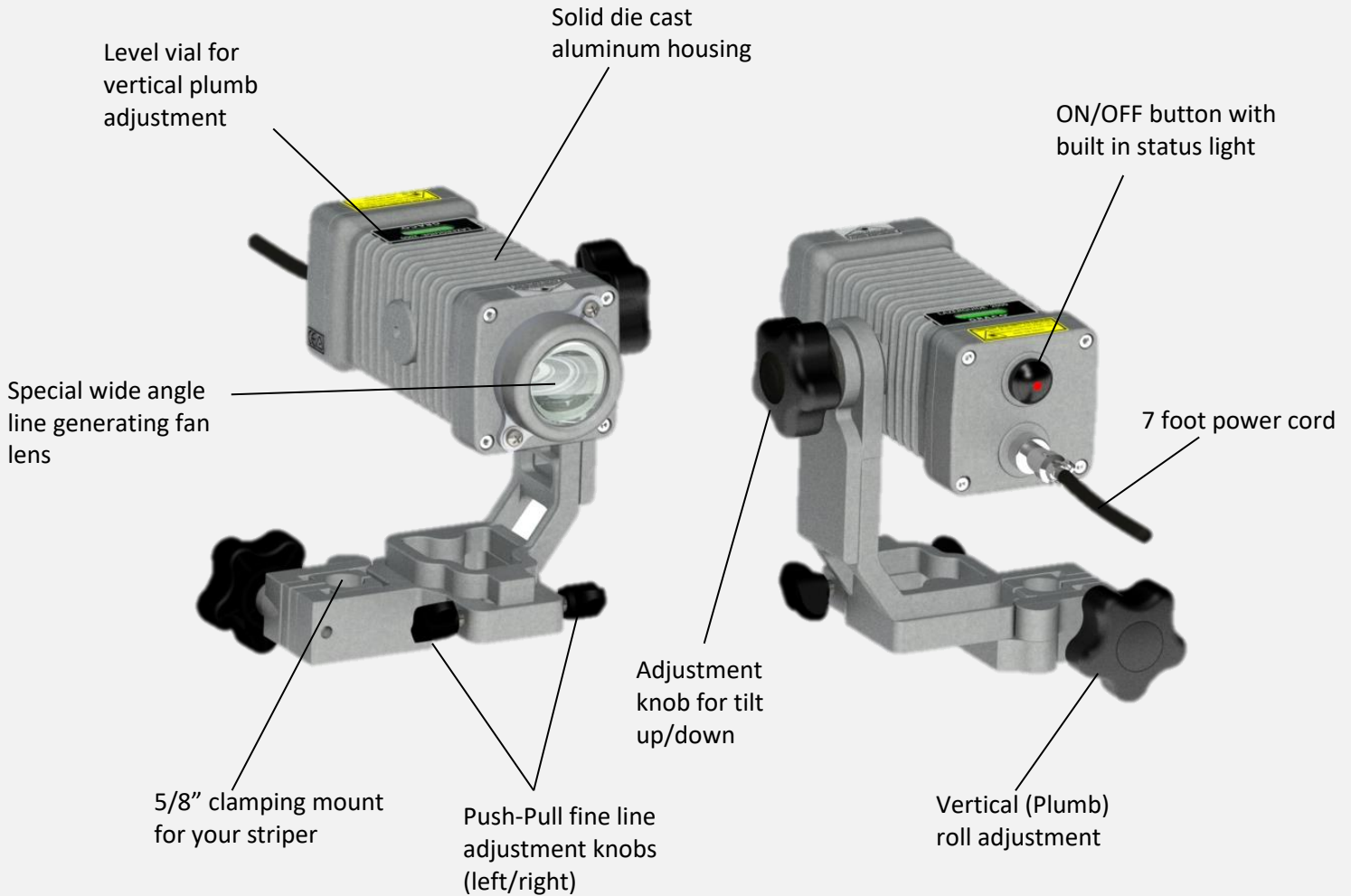
Night Use

- Visible on the ground as far as you can see
- Just connect the dots - The laser is your string line
- **Optional:** Use alignment target for long distance lines and hit your marks flawlessly



MECHANICAL FEATURES

- OSHA Compliant, meets ALL Federal and International standards
- 5/8" mounting to adapt to virtually ALL walk behinds
- Compact and durable



If you are pulling string lines, this is what you will save every month and every year!

String Line Costs Per Hour	\$20	\$22	\$24	\$26	\$28	\$30	\$32	\$34	\$36	\$38	\$40	\$42	\$44	\$46	\$48	\$50
Per Month (21 Work Days)	\$3,360	\$3,696	\$4,032	\$4,368	\$4,704	\$5,040	\$5,376	\$5,712	\$6,048	\$6,384	\$6,720	\$7,056	\$7,392	\$7,728	\$8,064	\$8,400
Per Year (252 Work Days)	\$40,320	\$44,352	\$48,384	\$52,416	\$56,498	\$60,480	\$64,512	\$68,544	\$72,576	\$76,608	\$80,640	\$84,672	\$88,704	\$92,736	\$96,768	\$100,800

GL1000 Specifications

“Built To Work Where You Work”

Laser

- Laser Wavelength 510-532nm
- Laser Power: 4.75mW
- U.S.A: ‘Class IIIa’ in the U.S. under US FDA/CDRH 21 CFR, part 1, Subchapter J, sections 1040.10 and 1040.11
- International: ‘Class 3R’ under:
 - ‘EN/IEC 60825-1 2014 edition 3’ (E.U.),
 - ‘BS EN 60825-1:2014’ (UK)
 - ‘AS/NZS 60825-1:2011’ (Australia/New Zealand)
 - & other countries, including: Japan, Korea, China, Singapore, Israel, South Africa, and more.
- U.S.A OSHA compliant: Meets all Federal and International standards
- Operational Life: 20,000 hrs. MTBF

Environment

- Operating Temperature: -40°F to 122°F (-40° to 50°C)
- Enclosure Rating: Outdoor dust and water rated to IP65
- Vibration compliant per MIL-STD-810F method 5145 and truck assurance level 2, schedule E

Electronic

- Power Source: 12 or 24 volt DC
- Power Draw: 0.1 of 1 amp at 12vdc, 0.05 of 1 amp at 24vdc
- Reverse Polarity and Spike Protected
- Over Temperature Protection Circuit
- Automatic Power Control: (APC) Keeps laser power stabilized through ambient temperature changes

Mechanical

- Special wide angle line generating fan lens
- Rugged die cast aluminum housing
- Built in level vial to assure laser plane (line) is plumb
- Universal clamp with built-in fine line adjust
- Built in adjust knob for aiming left/right – up/down and swivel for adjusting fan (line) beam
- Waterproof ON/OFF button with built in power indicator light
- Heavy duty power cord with strain relief
- Dimensions: 6.0”length x 2.5”width x 2.5”height
(15.24cm) (6.35cm) (6.35cm)
- Weight: 2.30 lbs.



LaserLine Mfg., Inc.

U.S. Patents:

(No.: 9,644,331) (No.:10,202,72) (No.:10,597,832)

ACCESSORIES

Battery Kit : P/N 3003-0811-1

(Consist of the following)

12v 5amp Hr. Sealed Lead Acid Portable Battery:

Will operate GL1000 for approx. 50 hours.

Battery Float Charger:

Trickle charge for lead acid batteries that automatically shuts off when battery is fully charged. Reverse polarity protected.

Hard Plastic Battery Case:

Enclosed weather proof plastic box, ON/OFF power button with status light, built in charging port and dual connectors. (Includes mounting hardware)



*Powers GL1000 and GL1700 simultaneously



Collapsible Reflective Alignment Target: P/N 3003-0076

Heavy duty collapsible crosshair alignment target for vertical and horizontal use. Dimensions are 20”x 14” and collapses down to 2.5”. Also features two carrying handles.



12” Extension w/ Collar: P/N 3003-0027

Allows you to raise the laser as high as 36” for increased visibility on the alignment

Warranty: 12 Months Parts and Labor

1 866 884 7569

DICAN

DICANINC.COM