



RAM® MOUNTS FOR SAMSUNG TAB ACTIVE3

RAM® Mounts are locked and loaded with brand new Samsung Galaxy Tab Active3 and Tab Active2 compatible mounting systems designed to take on the most rugged environments. From Galaxy Tab Active3 tablet mounts to IntelliSkin® and GDS® Tech™ enabled systems, RAM® Mounts has everything you need to build the perfect mounting solution.



DOCKS & HOLDERS

RAM® Mounts offers form-fit docks and holders designed to fit the Samsung Galaxy Tab Active3 and Tab Active2 perfectly with either the OEM case, or our RAM® Skin™. With a variety of power, data and cooling options, these holders are highly customizable with RAM Compatible components and accessories.

RAM® EZ-Roll'r™ Powered Mounting Bundle for Samsung Galaxy Tab Active3 and Tab Active2

RAM-B-101-225B-SAM60P-HARU



RAM® EZ-Roll'r™ Power and Data Holder for Samsung Galaxy Tab Active3 and Tab Active2

RAM-HOL-SAM60PDU

FEATURES



Combo, Key Locking & Non-Locking Options
See "SAM58" part IDs for locking options



GDS® Hand-Stand™ Compatible



Power Only & Power + Data Options



Dual USB Option for Extra Peripherals

RAM® SKIN™

Utilize the ruggedness of this ergonomic skin with integrated attachment points for a shoulder strap and a space in the back for a GDS® Hand-Stand™ Kick stand and hand strap accessory.



RAM® Skin™ for Samsung Galaxy Tab Active3

RAM-SKIN-SAM73



DOCKS & HOLDERS

CONTINUED



RAM® Tough-Case™ for Samsung Galaxy Tab Active3 and Tab Active2

RAM-TC-SAM29U



RAM® Tough-Case™ Holder for Samsung Galaxy Tab Active3 and Tab Active2

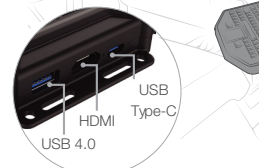
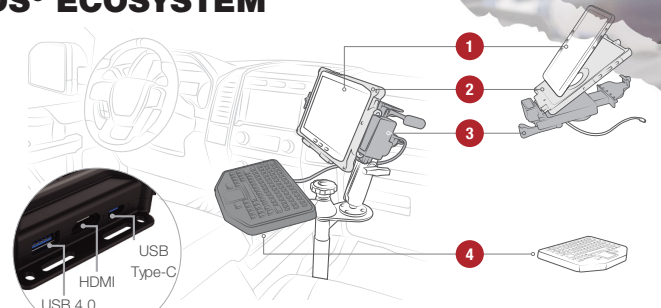
RAM-HOL-TC-SAM29FU



RAM® 6-Port Charging Dock for Samsung Galaxy Tab Active3, Tab Active2 & Tab Active Pro

RAM-DOCK-6G8PU

GDS® ECOSYSTEM™



RAM® Tough-Hub™ with USB Type-C for Vehicles

RAM-GDS-HUB-TYPEC-01



RAM® Keyboard™ with Track Pad

RAM-KEY2-USB

INTELLISKIN® NEXT GEN

Ruggedized contacts for repetitive docking in field applications, hybrid hard plastic and shock-absorbing rubber case, integrated USB Type-C connector at the bottom of the skin and a Double Delta alignment point for easy docking and removal of device.



IntelliSkin® Next Gen for Samsung Galaxy Tab Active3

RAM-GDS-SKIN-SAM74-NG



GDS® TOUGH-DOCK & COOL-DOCK™



GDS® Tough-Dock & Cool-Dock™ for Samsung Galaxy Tab Active3 and Tab Active2


RAM-GDS-DOCKLF-SAM62CU

FEATURES

 Locking & Non-Locking Options

 GDS® Hand-Stand™ Compatible

 GDS® Cool-Dock™ Built-In Cooling Fan

 mUSB and USB Type-C Options

UNIVERSAL OPTION
WITH RAM® X-GRIP® FOR TABLETS



RAM® X-Grip® Universal Holder
 for 7"-8" Tablets

RAM-HOL-UN8BU



RAM® Tab-Tite™ Holder
 for Tab Active3 and Tab Active2

RAM-HOL-TAB-SAM29U

CHOOSE FROM A VARIETY OF BASES



RAM® Round Plate with Ball
RAM-B-202U



RAM® Double U-Bolt Ball Base
 for 1"-1.25" Rails
RAM-B-235U



RAM® Tough-Claw™ Medium
 Clamp Base
RAP-B-400U



RAM® No-Drill™ Universal
 Vehicle Floor Mount
RAM-VB-196-SW2

RAM® TAB-LOCK™
FOR TAB ACTIVE3

RAM-HOL-TABL-SAM29U



GDS® HARDWIRE USB TYPE-C
POWER DELIVERY CHARGER

WITH MALE CONNECTOR

RAM-GDS-CHARGE-V3CU



* Battery by-pass allows
 for continuous
 charging even
 when battery is
 removed



DICANINC.COM
1 866 884 7569